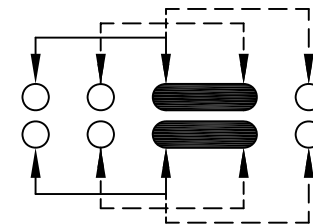
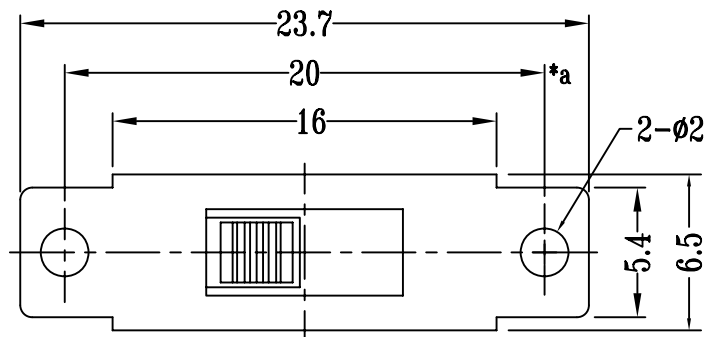
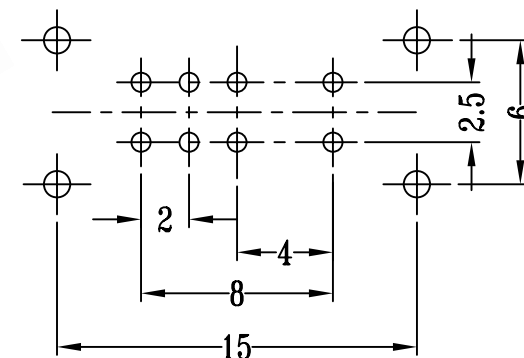
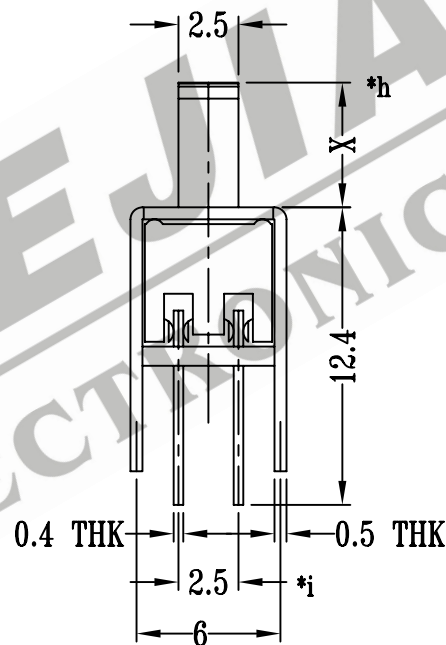
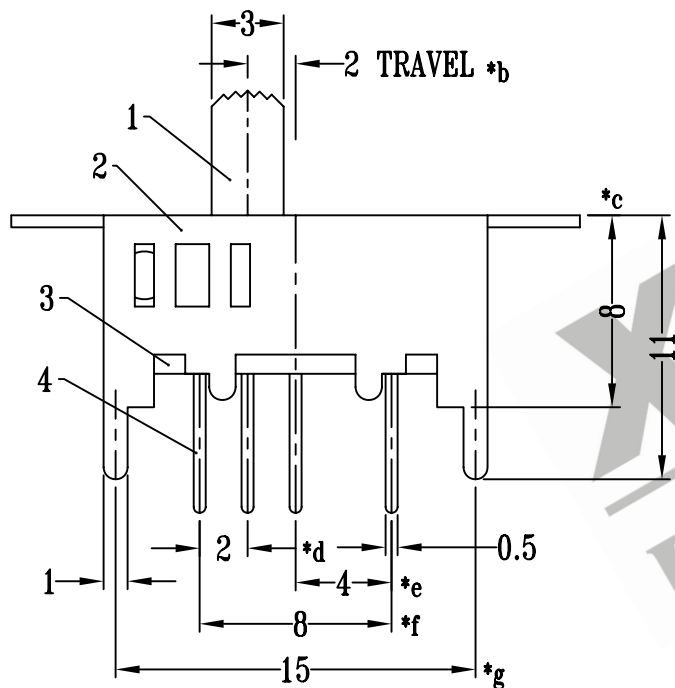


CAD FILE:



**SCHEMATIC (SHORTING)**



**P.C.B LAYOUT**

注:带"\*"表示关键尺寸(9个)

NO.	PARTS	MATERIALS	Q'TY	FINISH	TOLERANCE UNLESS SPECIFIED	SHENZHEN XIEJIA ELECTRONICS CO.,LTD.					
8						TITLE : VERTICAL SLIDE SWITCH		UNIT : mm	DRWG NO.: XJ-DR-SS23D04-00		
7	STEEL BALL	STEEL	1	NATURAL	WITHIN: 1.5±0.1mm	MODEL: SS-23D04		SCALE: 3 : 1	DWN.	ZHOUYU	2003-5-23
6	SPRING	STEEL WIRE	1	TEMPER	OVER : 1.5±0.2mm	ALL MATERIALS MUST BE COMPLIANT TO ROHS			CHK'D	FANGYING	2003-5-23
5	CONTACT CLIP	PBS STRIP	2	Ag PLATED		ISSUE	DATE	DESCRIPTIONS OF REVISION		APPD.	
4	TERMINAL	BRASS STRIP	8	Ag PLATED OVER Ni PLATED							
3	BASE	PHENOLIC RESIN	1	NATURAL							
2	FRAME	STEEL STRIP	1	Ni PLATED							
1	KNOB	POM	1	BLACK							